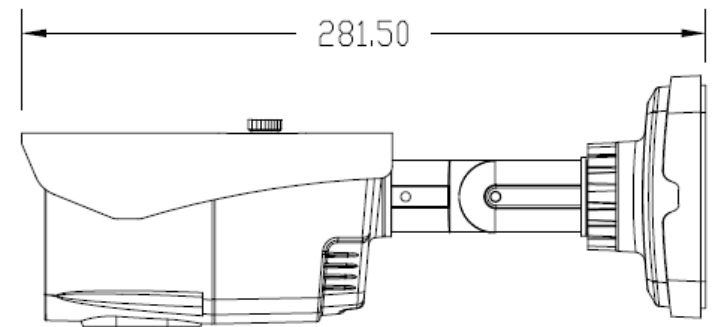
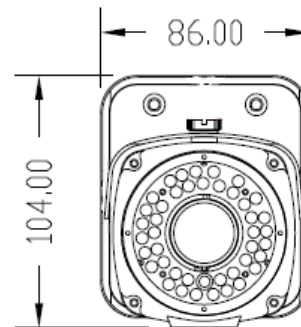




AUTO ZOOM

SCAVBN40X

General Features :





Model NO.	SCAVBN40XHA	SCAVBN40XA130	SCAVBN40XE200
Camera			
Category	Analogue Camera	HD Camera	IP Camera
CCD/CMOS	CCD	CMOS	CMOS
Image Sensor	ICX811AK	IMX238	IMX238
DSP	Effio-A	2431H	A5S66
Horizontal Resolution	720TVL	1.4MP	3MP
Effective Pixels	976(H)×582(V)	1280(H)×960(V)	1280(H)×960(V)
TV System	PAL/NTSC		
Electronic Shutter Time	Auto: PAL 1/50-1/100, 000Sec; NTSC 1/60-1/100, 000Sec	1/25s~1/50,000s , 1/30s~1/60,000s	Auto: PAL 1/1-1/10000Sec; NTSC 1/1-1/10000Sec
Sync System	Internal		External
Usable Illumination	0.001Lux/F2.0	0.001Lux/F2.0	0.001Lux/F2.0
S/N Ratio	≥50dB	≥50dB	≥52dB
Gamma Correction	0.45		
Scanning System	PAL:625 Lines, 50 Field/Sec;NTSC:525 Lines, 60 Field/Sec	Progressive Scan	Progressive Scan
Video Output	Composite Signal (1.0Vp-p, 75Ω)	AHD/CVBS (960H) (BNC)	Network
Lens			



Focus Length	2.8-12mm		
Focus Control	Auto		
Lens Type	Auto		
Pixels	2M Pixels		
Auto Iris Support	Auto		
Night Vision			
Infrared LED	Φ 5X42PCS		
Infrared Distance	40M		
IR Status	Under 10 Lux By CDS		
IR Power On	CDS Auto Control		
Camera Features			
Day/Night	Color/ B&W	Auto (ICR) / Color / B&W	Color/ B&W (IR-CUT)
OSD Menu Language	CN, EN, FR, DE, JP, ES, PT, RU	EN, CN, DE, FRA, IT, ES PL, RU, PT, NL, TR	CN,EN,BG,PL,FA,DE,RU FR,KO,PT,JA,TR,ES,HE,IT
Defog	YES	NO	NO
Sense-up	YES	YES	YES
Smart-IR	YES	NO	YES
Wide Dynamic Range	Super DWDR	DWDR	WDR



Backlight Compensation	YES	NO	NO
White Balance	AUTO	AUTO	AUTO
Gain Control	AUTO	AUTO	AUTO
Noise Reduction	3D NR	3D NR	3D NR
Privacy Masking	YES	NO	NO
Digital Zoom	NO	NO	YES
Picture Adjustment	YES	YES	YES
UTC Support	YES	NO	NO
General			
Weatherproof Housing	YES, IP66		
Lens Angle Adjustment	YES, 3-Axis		
Dual Voltage	NO		
IR Cut Filter	NO		
Heater	NO		
Operation Temperature	-10°C ~ +50°C RH95% Max		
Storage Temperature	-20°C ~ +60°C RH95% Max		
Power Source	DC12V±10%, 700mA		





Dimension	220(W) x 80(H) x 80(D)mm
Weight	1.4KG

