

BULLET AHD/CVI/TVI

SCAVEN40

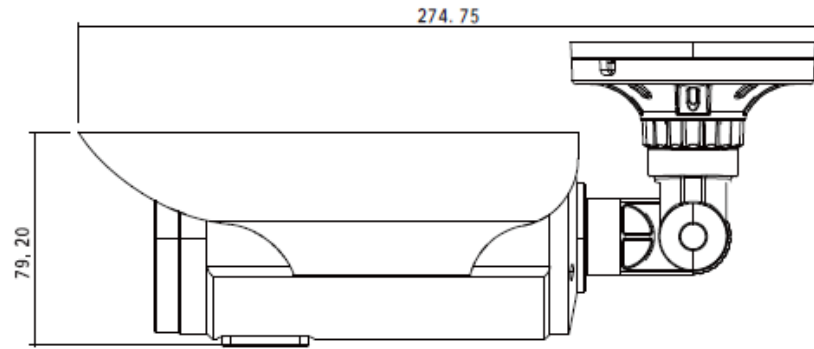
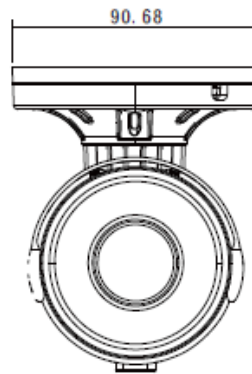
General Features :

Pixels 2M Pixels

Auto Iris Support NO

Infrared LED Φ 5X42PCS

Infrared Distance 40M



Email: info@senscam.com



Model No.	SCAVEN40A100	SCAVEN40A130	SCAVEN40A200M	SCAVEN40A200H	SCAVEN40C130L	SCAVEN40C130M	SCAVEN40C130H	SCAVEN40C200M	SCAVEN40C200H	SCAVEN40V130M	SCAVEN40V130H	SCAVEN40V130	SCAVEN40V200M	SCAVEN40V200H
Video Output Mode	AHD/CVBS	AHD/CVBS	AHD/CVBS	AHD/CVBS	CVI/CVBS	CVI	CVI/CVBS	CVI	CVI	TVI/CVBS	TVI/CVBS	TVI	TVI	TVI
Camera														
Image Sensor	OV9712S	IMX225	OV2710	IMX322	OV9750	AR0130	IMX225	OV2710	IMX322	OV9750	IMX225	IMX238	OV2710	IMX322
DSP	NVP2431H	NVP2431H	NVP2441H	NVP2441H	HTC960	FH8521+DH9801	HTC960	FH8530C	FH8530C	HTC960	HTC960	FH8521+TP2801	FH8531+TP2801	FH8531+TP2801
Image Resolution	720P/960H	960P/960H	1080P/960H	1080P/960H	960P/960H	960P	960P/960H	1080P	1080P	960P/960H	960P/960H	960P	1080P(960H)	1080P(960H)
Effective Pixels	1.0MP, 1280x720	1.3MP, 1280x960	2.1MP, 1920x1080	2.4MP, 1920x1080	1.3MP, 1280x960	1.3MP, 1280x960	1.3MP, 1280x960	2.1MP, 1920x1080	2.4MP, 1920x1080	1.3MP, 1280x960	1.3MP, 1280x960	1.4MP, 1280x960	2.1MP, 1920x1080	2.4MP, 1920x1080
TV System	PAL/NTSC													
Electronic Shutter	1/25s~1/50,000s, 1/30s~1/60,000s													
Sync System	Internal													
Usable Illumination	0.01Lux	0.005Lux	0.001Lux	0.001Lux	0.01Lux	0.01Lux	0.005Lux	0.01Lux	0.01Lux	0.01Lux	0.005Lux	0.001Lux	0.01Lux	0.01Lux
S/N Ratio	≥50dB													
Scanning System	Progressive Scan													
Lens														
Focus Length	2.8-12mm													





Focus Control	Manual														
Lens Type	Manual														
Pixels	2M Pixels														
Auto Iris Support	NO														
Night Vision															
Infrared LED	Φ 5X42PCS														
Infrared Distance	40M														
IR Status	Under 10 Lux by CDS														
IR Power On	CDS Auto Control														
Camera Features															
Day/Night	Auto (ICR) / Color / B&W	Auto (ICR) / Color / B&W	Auto (ICR) / Color / B&W	Auto (ICR) / Color / B&W	Auto (ICR) / Color / B&W	Auto (ICR) / Color / B&W	Auto (ICR) / Color / B&W	Auto (ICR) / Color / B&W	Auto (ICR) / Color / B&W	Auto (ICR) / Color / B&W	Auto (ICR) / Color / B&W	Auto (ICR) / Color / B&W	Auto (ICR) / Color / B&W	Auto (ICR) / Color / B&W	Auto (ICR) / Color / B&W
OSD Menu Language	EN, CN, DE, FRA, IT, ES, PL, RU, PT, NL, TR	EN, CN, DE, FRA, IT, ES, PL, RU, PT, NL, TR	EN, CN, DE, FRA, IT, ES, PL, RU, PT, NL, TR	EN, CN, DE, FRA, IT, ES, PL, RU, PT, NL, TR	NO	NO	NO	NO	NO	NO	NO	NO	NO	NO	NO
White Balance	Auto/Manual	Auto/Manual	Auto/Manual	Auto/Manual	Auto	Auto	Auto	Auto	Auto	Auto	Auto	Auto	Auto	Auto	Auto
Gain Control	Auto	Auto	Auto	Auto	Auto	Auto	Auto	Auto	Auto	Auto	Auto	Auto	Auto	Auto	Auto
Noise Reduction	3D NR	3D NR	3D NR	3D NR	2D NR	3D NR	2D NR	2D NR	2D NR	2D NR	2D NR	2D NR	3D NR	2D NR	2D NR



Picture Adjustment	YES	YES	YES	YES	NO	YES	NO	YES	YES	NO	NO	NO	YES	YES
WDR	DWDR	DWDR	DWDR	DWDR	NO	WDR	NO	WDR	WDR	NO	NO	NO	WDR	WDR
OSD Support	YES	YES	YES	YES	NO	NO	NO	NO	NO	NO	NO	No	Optional	Optional

General

Weatherproof Housing	YES, IP66
Anti-cut Bracket	YES, 3-Axis
Dual Voltage	NO
IR Cut Filter	YES
Heater	NO
Operation Temperature	-10°C ~ +50°C RH95% Max
Storage Temperature	-20°C ~ +60°C RH95% Max
Power Source	DC12V±10%, 700mA
Dimension	275(W)x91(H)x80(D)mm
Weight	1.4Kg