

BULLET HD IP CAMERAS

SCAVHN20

General Features :

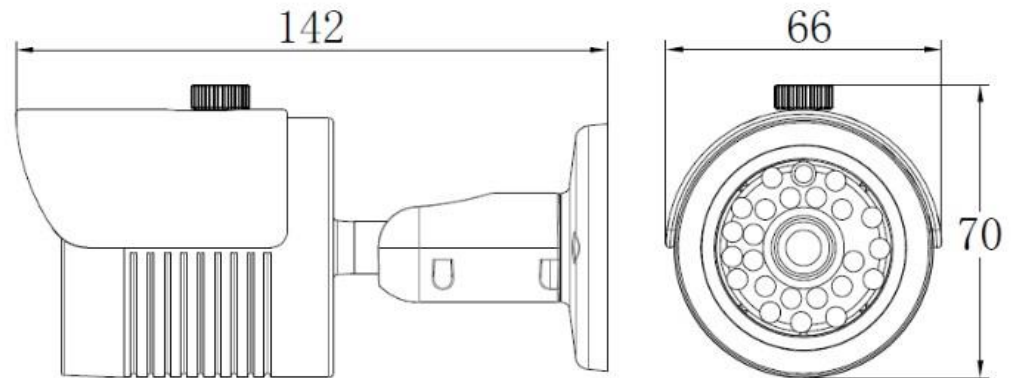
HD-SDI 1080P Weatherproof IR Camera

SONY/ Panasonic 2.1Megapixel CMOS Sensor

1080P(1920 X 1080), 25fps/30fps&50fps/60fps (optional)

3M Pixels Board Lens 3.6mm/F2.0

☉ 5X24PCS IR LEDS, IR Distance: 20M



Model NO.	SCAVHN20KD	SCAVHN20SD
Camera		
Image Sensor	1/2.8" SONY CMOS(IMX222)	1/2.8" SONY CMOS(IMX136)
DSP	eyenix (EN773A)	Nextchip(NVP2421)
Image Resolution	PAL: 25fps@1080P(1920×1080); NTSC: 30fps@1080P(1920×1080)	PAL: 30fps@1080P(1920×1080); NTSC: 60fps@1080P(1920×1080)
Effective Pixels	1920(H) x 1080 (V)	
TV System	PAL/NTSC	
Electronic Shutter	Auto / Manual / Flicker	
Sync System	Internal	
Usable Illumination	Color: 1.0Lux/F1. 4, B/W: 0.5Lux /F1. 4; 0Lux /F1.4(IR on)	
S/N Ratio	≥50dB	
Scanning System	Progressive Scan	
Video Output Mode	1CH HD-SDI High-definition Video (1080P or 720P)	
Video Output Level	HD-SDI /(1.0 Vp-p 75Ω, Composite)	
Lens		
Focus Length	Board Lens 3.6mm/F2.0	
Focus Control	Fixed	
Lens Type	Fixed	

Pixels	3M Pixels	
Auto Iris Support	NO	
Night Vision		
Infrared LED	☉ 5X24PCS	
Infrared Distance	20M	
IR Status	Under 10 Lux by CDS	
IR Power On	CDS Auto Control	
Camera Features		
Day/Night	Auto (ICR) / Color / B&W	Auto (ICR) / Color / B&W
OSD Menu Language	English, Simple Chinese, Traditional Chinese, Japanese, Korea	Chinese, Traditional Chinese, English, Japanese, Korean, German, French, Italian, Spanish, Polish, Russian, Portuguese, Dutch, Turkish, Hebrew, Arabic
Wide Dynamic Range	WDR	WDR
Defog	YES	YES
Backlight Compensation	YES	YES
HLC	YES	YES
White Balance	AUTO / Manual	AUTO / Manual
Gain Control	Auto / Manual	Auto / Manual
Noise Reduction	Smart NR	Smart NR

Motion Detection	6 Areas	4 Areas
Digital Zoom	X8	X62
Sense Up	X8	X30
Picture Adjustment	YES, Mirror / Flip / Brightness / Sharpness	YES, Mirror / Flip / Brightness / Sharpness
UTC Support	NO	NO
General		
Weatherproof Housing	YES, IP66	
Anti-cut Bracket	YES, 3-Axis	
Dual Voltage	NO	
IR Cut Filter	YES	
Heater	NO	
Operation Temperature	-10°C ~ +50°C RH95% Max	
Storage Temperature	-20°C ~ +60°C RH95% Max	
Power Source	DC12V±10%, 500mA	
Dimension	142(W)x65(H)x63(D)mm	
Weight	500g	