



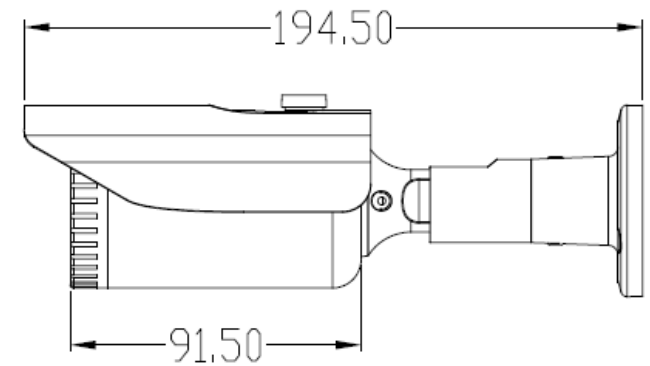
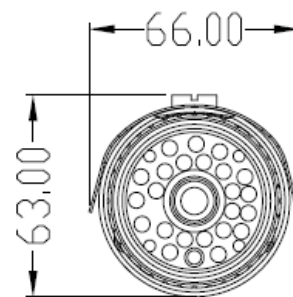
BULLET AHD/CVI/TVI

SCAVZF20

General Features :

IR Bullet AHD/CVI/TVI

3.6mm/20M/IP66





Model NO.	SCAVZF20A100	SCAVZF20A130	SCAVZF20A200M	SCAVZF20A200H
Video Output Mode	AHD/CVBS	AHD/CVBS	AHD/CVBS	AHD/CVBS
Camera				
Image Sensor	OV9712S	IMX225	OV2710	IMX322
DSP	NVP2431H	NVP2431H	NVP2441H	NVP2441H
Image Resolution	720P/960H	960P/960H	1080P/960H	1080P/960H
Effective Pixels	1.0MP, 1280x720	1.3MP, 1280x960	2.1MP, 1920x1080	2.4MP, 1920x1080
TV System	PAL/NTSC			
Electronic Shutter	1/25s~1/50,000s , 1/30s~1/60,000s			
Sync System	Internal			
Usable Illumination	0.01Lux	0.005Lux	0.001Lux	0.001Lux
S/N Ratio	≥50dB			
Scanning System	Progressive Scan			





Lens				
Focus Length	Board Lens 3.6mm/F2.0			
Focus Control	Fixed			
Lens Type	Fixed			
Pixels	2M Pixels			
Auto Iris Support	NO			
Night Vision				
Infrared LED	Φ 5X24PCS			
Infrared Distance	20M			
IR Status	Under 10 Lux by CDS			
IR Power On	CDS Auto Control			
Camera Features				
Day/Night	Auto (ICR) / Color / B&W	Auto (ICR) / Color / B&W	Auto (ICR) / Color / B&W	Auto (ICR) / Color / B&W





OSD Menu Language	EN, CN, DE, FRA, IT, ES PL, RU, PT, NL, TR	EN, CN, DE, FRA, IT, ES PL, RU, PT, NL, TR	EN, CN, DE, FRA, IT, ES PL, RU, PT, NL, TR	EN, CN, DE, FRA, IT, ES PL, RU, PT, NL, TR
White Balance	Auto/Manual	Auto/Manual	Auto/Manual	Auto/Manual
Gain Control	Auto	Auto	Auto	Auto
Noise Reduction	3D NR	3D NR	3D NR	3D NR
Picture Adjustment	YES	YES	YES	YES
WDR	DWDR	DWDR	DWDR	DWDR
OSD Support	YES	YES	YES	YES
General				
Weatherproof Housing	YES, IP66			
Anti-cut Bracket	YES, 3-Axis			
Dual Voltage	NO			
IR Cut Filter	YES			
Heater	NO			
Operation Temperature	-10°C ~ +50°C RH95% Max			





Storage Temperature	-20°C ~ +60°C RH95% Max
Power Source	DC12V±10%, 500mA
Dimension	168(W) x 73.5(H) x 65(D)mm
Weight	550g

