

VARIFOCAL BULLET IR CAMERAS SCAVDN40

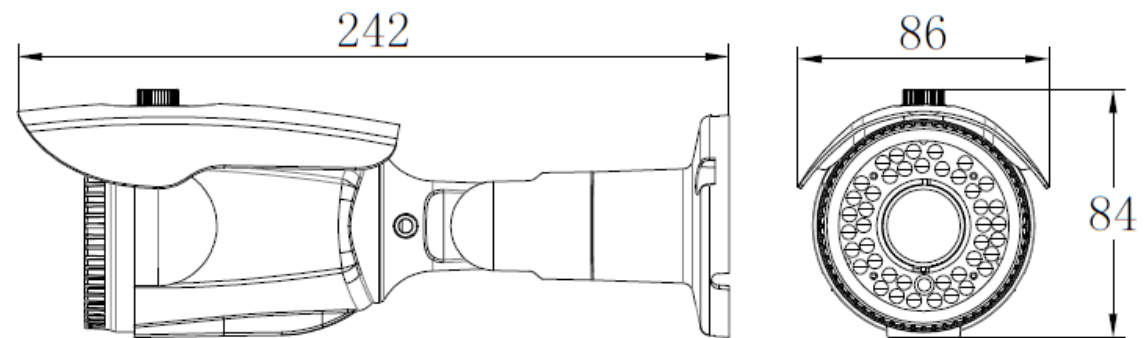
General Features :

Weatherproof IR IP66 Camera

DWDR\3DNR\Defog\Sense-up\Smart IR\UTC\OSD\Low Illumination.

2M Pixels Varifocal Lens 2.8-12mm

☉ 5X42PCS IR LED, IR Distance: 40M





Model NO.	SCAVDN40HV	SCAVDN40HA	SCAVDN40S70	SCAVDN40B65	SCAVDN40HS	SCAVDN40HP	SCAVDN40HN	SCAVDN40P80
Camera								
CCD/CMOS	CCD				CMOS			
Image Sensor	ICX663AK	ICX811AK	ICX811AK	ICX639BK	IMX238	IMX238	HS1200	PC1099N
DSP	CXD4141GG	CXD4151GG	CXD4140AGG	NVP2090	FH8526	FH8520	FH8526	/
Horizontal Resolution	720TV Lines	720TV Lines	700TV Lines	650TV Lines	1200TV Lines	1000TV Lines	1200TVL	800TV Lines
Effective Pixels	976(H)×582(V)	976(H)×582(V)	976(H)×582(V)	752(H)×582(V)	1305(H)X1049(V)	1305(H)X1049(V)	1296(H)X964(v)	960(H)×480(V)
TV System	PAL/NTSC							
Electronic Shutter Time	Auto: PAL 1/50-1/100, 000Sec; NTSC 1/60-1/100, 000Sec							
Sync System	Internal							
Usable Illumination	0.001Lux/F2.0	0.001Lux/F2.0	0.001Lux/F2.0	0.01Lux/F2.0	0.01Lux/F2.0	0.01Lux/F2.0	0.01Lux/F2.0	0.1Lux/F2.0
S/N Ratio	≥52dB	≥52dB	≥52dB	≥50dB	≥50dB	≥50dB	≥44dB	≥50dB
Gamma Correction	0.45							
Scanning System	PAL:625 Lines, 50 Field/Sec;NTSC:525 Lines, 60 Field/Sec							
Video Output	Composite Signal (1.0Vp-p, 75Ω)							



Lens								
Focus Length	2.8-12mm (6-22mm optional)							
Focus Control	Manual							
Lens Type	Manual							
Pixels	2M Pixels							
Auto Iris Support	NO							
Night Vision								
Infrared LED	Φ 5X42PCS							
Infrared Distance	40M							
IR Status	Under 10 Lux By CDS							
IR Power On	CDS Auto Control							
Camera Features								
Day/Night	Color/ B&W	Color/ B&W	Color/ B&W	Color/ B&W	Color/ B&W	Color/ B&W	Color/ B&W	Color/ B&W
OSD Menu Language	CN, EN, FR, DE, JP, ES, PT, RU	CN, EN, FR, DE, JP, ES, PT, RU	CN, EN, FR, DE, JP, ES, PT, RU	EN, CH, SP, RU, JP, PO, GE, FR	NO	CN, EN, RU, IT	NO	NO
Defog	YES	YES	NO	NO	NO	NO	NO	NO
Sense-up	YES	YES	NO	NO	NO	NO	NO	NO
Smart-IR	NO	YES	YES	NO	NO	NO	NO	NO



Wide Dynamic Range	Real WDR	Super DWDR	DWDR	DWDR	NO	DWDR	NO	NO
Backlight Compensation	YES	YES	YES	YES	NO	YES	NO	NO
White Balance	AUTO	AUTO	AUTO	AUTO	AUTO	AUTO	AUTO	AUTO
Gain Control	AUTO	AUTO	AUTO	AUTO	AUTO	AUTO	AUTO	AUTO
Noise Reduction	3D NR	3D NR	2D NR	2D NR	2D NR	3D NR	2DNR	NO
Privacy Masking	YES	YES	YES	YES	NO	YES	NO	NO
Digital Zoom	YES	YES	NO	NO	NO	YES	NO	NO
Picture Adjustment	YES	YES	YES	YES	NO	YES	NO	NO
UTC Support	YES	YES	YES	NO	NO	YES	NO	YES
General								
Weatherproof Housing	YES, IP66							
Anti-cut Bracket	YES, 3-Axis							
Dual Voltage	NO							
IR Cut Filter	NO	NO	NO	NO	YES	YES	YES	YES
Heater	NO							
Operation Temperature	-10°C ~ +50°C RH95% Max							



Storage Temperature	-20°C ~ +60°C RH95% Max
Power Source	DC12V±10%, 700mA
Dimension	305(W) x113(H) x103(D)mm
Weight	1.6Kg

